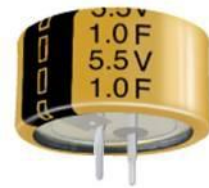


Features

- High temperature tolerance(-25~85°C) and highly reliable

Applications

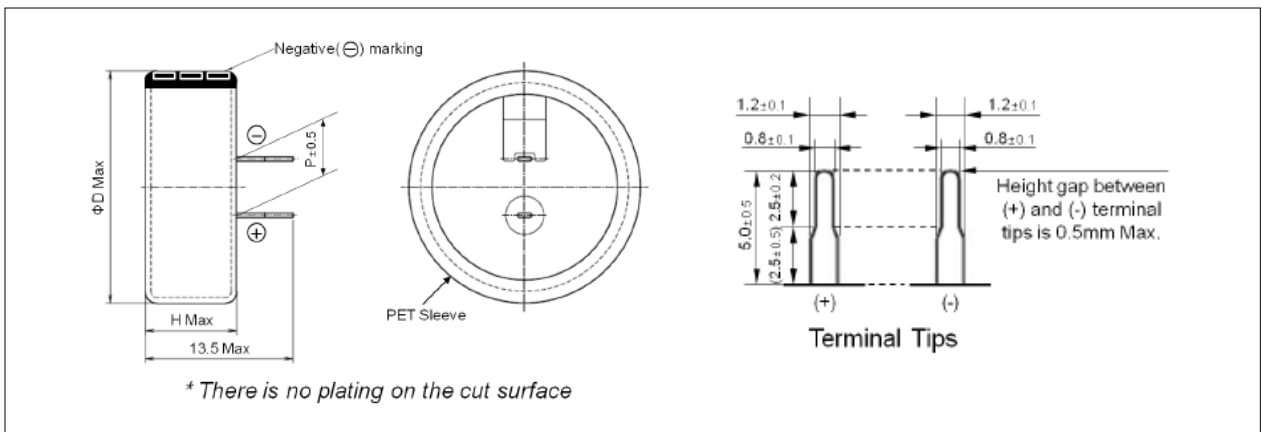
- Memory back-up for Video, Audio, Cameras, Camcorder, Telephones, Printer, Car stereo, Computer, Notebook PC, Rice cooker, PLC, Set top box, Washing machine, DVD-RW, Home network etc.



Specifications

Items	Characteristics
Rated working voltage	5.5VDC
Operating temperature	-25 to +85°C
Nominal Cap. range	0.47 to 1.0F
Capacitance tolerance	-20% to +80%(at 25°C)
Low temperature(-25°C) characteristics	Capacitance change : ≤ 50% of the initial value at +25°C Internal resistance : Less than five times of the initial value at +25°C
Endurance	After 1,000hours application of rated DC working voltage at +85°C, the capacitor shall meet the following limits. <ul style="list-style-type: none"> • Capacitance change : ±30% of the initial value • Internal resistance : Less than four times of the initial value
Shelf life	After 1,000hours storage at +85°C without load, the capacitor shall meet the specified limit for "Life"

Dimensions in mm(not to scale)



Standard products

Part Number	Operating Voltage (V)	Capacitance (F)	ESR (Ω, @1kHz)	ΦD×H×P (mm)
DCLT 5R5 474	5.5	0.47	≤ 50	21.5×9.5×5.0
DCLT 5R5 684		0.68	≤ 50	21.5×9.5×5.0
DCLT 5R5 105		1.0	≤ 30	21.5×9.5×5.0

Note: It is not allowed to go through reflow (IR, Atmosphere heating methods etc.) process