

SEMCO Adapter Catalog



5W Travel Adapter

● Description

- AC/DC 5W (5V/1A) ADAPTOR
- P/N : PSCV050103A~F



● Specification

| | | |
|---------------------------|-----------------|--|
| Input | Voltage | 85~264Vac |
| | Frequency | 47~63Hz |
| | Configuration | 2Pin Socket (Live, Neutral) |
| Output | Voltage | 5Vdc Nominal |
| | Line Regulation | 4.75~5.25Vdc |
| | Current | 1.0A Max. |
| | Ripple & Noise | 80mVp-p Max. |
| | Wattage | 5W Max. |
| | Configuration | USB 2.0 |
| Efficiency | Efficiency | Ave. 75.0% Min. (LEVEL V) |
| | DPMS (No Load) | 0.01W Max. |
| Protection | OCP | Auto Recovery (Max. 1.3A, 264Vac) |
| | SCP | Auto Recovery |
| | OVP | N.T |
| Reliability | Surge Immunity | IEC6100-4-5 (L-N : 6kV – Ring wave mode) |
| | ESD Immunity | IEC61000-4-2 (Contact : ±8kV, Air : ±15kV) |
| | Case dT | 25°C Max. (Tc-Tamb) |
| | Acoustic Noise | 30dBA Max. |
| SAFETY | | IEC60950-1 (World Wide) |
| Form & SIZE | | Wall mount /64.0 X 36.6 X 18 |
| Life Time (AL-Capacitor) | | - |

10W Travel Adapter

Description

- AC/DC 10W (5V/2A) ADAPTOR
- P/N : PSCV100104A~H



Specification

| | | |
|---------------------------|-----------------|--|
| Input | Voltage | 85~264Vac |
| | Frequency | 47~63Hz |
| | Configuration | 2Pin Socket (Live, Neutral) |
| Output | Voltage | 5Vdc Nominal |
| | Line Regulation | 4.75~5.25Vdc |
| | Current | 2.0A Max. |
| | Ripple & Noise | 150mVp-p Max. |
| | Wattage | 10W Max. |
| | Configuration | USB 2.0 |
| Efficiency | Efficiency | Ave. 80.0% Min. (LEVEL V) |
| | DPMS (No Load) | 0.03W Max. |
| Protection | OCP | Auto Recovery (Max. 1.3A, 264Vac) |
| | SCP | Auto Recovery |
| | OVP | N.T |
| Reliability | Surge Immunity | IEC6100-4-5 (L-N : 6kV – Ring wave mode) |
| | ESD Immunity | IEC61000-4-2 (Contact : ±8kV, Air : ±15kV) |
| | Case dT | 25°C Max. (Tc-Tamb) |
| | Acoustic Noise | 30dBA Max. |
| SAFETY | | IEC60950-1 (World Wide) |
| Form & SIZE | | Wall mount / 70.0 X 36.4 X 21.5 |
| Life Time (AL-Capacitor) | | - |

60W ADAPTOR for N/PC

● Description

- AC/DC 60W (16.5V/3.65A) ADAPTOR
- P/N : PSCV600121D



● Specification

| | | |
|---------------------------|-----------------|---|
| Input | Voltage | 90~264Vac |
| | Frequency | 47~63Hz |
| | Configuration | 3Pin Socket (Live, Neutral,FG) |
| Output | Voltage | 16.5Vdc Nominal |
| | Line Regulation | 16.0~17.5Vdc |
| | Current | 3.65A Max. |
| | Ripple & Noise | 200mVp-p Max. |
| | Wattage | 60W Max. |
| | Configuration | DC-CABLE (1500mm, 5.5Φ x 10mm) |
| Efficiency | Efficiency | Ave. 89% Min,50% Load. 90% Min. |
| | DPMS (No Load) | 30mW Max. |
| Protection | OCP | Latch-off at 3.85A~4.3A |
| | SCP | Latch-off |
| | OVP | Latch-off at 18.5Vdc~19.5Vdc |
| Reliability | Surge Immunity | Brazilian (L-N:4.4kV,L-L:2.2kV), CE(L-N:2.2kV,L-L:1.1kV) |
| | ESD Immunity | IEC61000-4-2 (Contact : ±4.5kV, Air : ±9kV) |
| | Case dT | 50℃ Max. (Tc-Tamb) |
| | Acoustic Noise | 19dBA Max. |
| SAFETY | | IEC60950-1 (World Wide) |
| Form & SIZE | | Note PC / 74.0 X 74.0 X 29.0 |
| Life Time (AL-Capacitor) | | |

45W ADAPTOR for N/PC

● Description

- AC/DC 45W (14.8V/3.05A) ADAPTOR
- P/N : PSCV450



● Specification

| | | |
|---------------------------|-----------------|---|
| Input | Voltage | 90~264Vac |
| | Frequency | 47~63Hz |
| | Configuration | 3Pin Socket (Live, Neutral,FG) |
| Output | Voltage | 14.8Vdc Nominal |
| | Line Regulation | 13.8~15.5Vdc |
| | Current | 3.05A Max. |
| | Ripple & Noise | 200mVp-p Max. |
| | Wattage | 45W Max. |
| | Configuration | DC-CABLE (1500mm, 5.5Φ x 10mm) |
| Efficiency | Efficiency | Ave. 86.5% Min,50% Load. 86.5% Min. |
| | DPMS (No Load) | 30mW Max. |
| Protection | OCP | Latch-off at 3.3A~3.9A |
| | SCP | Latch-off |
| | OVP | Latch-off at 16.0Vdc~16.75Vdc |
| Reliability | Surge Immunity | Brazilian (L-N:4.4kV,L-L:2.2kV), CE(L-N:2.2kV,L-L:1.1kV) |
| | ESD Immunity | IEC61000-4-2 (Contact : ±4.5kV, Air : ±9kV) |
| | Case dT | 50℃ Max. (Tc-Tamb) |
| | Acoustic Noise | 19dBA Max. |
| SAFETY | | IEC60950-1 (World Wide) |
| Form & SIZE | | Note PC / 64.0 X 64.0 X 29.0 |
| Life Time (AL-Capacitor) | | |

40W ADAPTOR for N/PC

● Description

- AC/DC 40W (19V/2.11A) ADAPTOR
- P/N : PSCV400102A



● Specification

| | | |
|---------------------------|-----------------|--|
| Input | Voltage | 90~264Vac |
| | Frequency | 47~63Hz |
| | Configuration | 3Pin Socket (Live, Neutral,FG) |
| Output | Voltage | 19Vdc Nominal |
| | Line Regulation | 18.5~19.95Vdc |
| | Current | 2.11A Max. |
| | Ripple & Noise | 300mVp-p Max. |
| | Wattage | 40W Max. |
| | Configuration | DC-CABLE (1800mm, 4.0Φ x 11.5mm) |
| Efficiency | Efficiency | Ave. 85.2% Min. (LEVEL V) |
| | DPMS (No Load) | 0.3W Max. |
| Protection | OCP | Auto Recovery (Min. 3A, 264Vac) |
| | SCP | Auto Recovery |
| | OVP | Auto Recovery from 22Vdc |
| Reliability | Surge Immunity | IEC6100-4-5 (L-N : 2kV) |
| | ESD Immunity | IEC61000-4-2 (Contact : ±8kV, Air : ±15kV) |
| | Case dT | 35℃ Max. (Tc-Tamb) |
| | Acoustic Noise | 23dBA Max. |
| SAFETY | | IEC60950-1 (World Wide) |
| Form & SIZE | | Note Pc / 37.0 X 89.5 X 31 |
| Life Time (AL-Capacitor) | | 13,000Hrs(25℃) |

60W ADAPTOR for N/PC

● Description

- AC/DC 60W (19V/3.16A) ADAPTOR
- P/N : PSCV600102A



● Specification

| | | |
|---------------------------|-----------------|--|
| Input | Voltage | 90~264Vac |
| | Frequency | 47~63Hz |
| | Configuration | 3Pin Socket (Live, Neutral,FG) |
| Output | Voltage | 19Vdc Nominal |
| | Line Regulation | 18.5~19.95Vdc |
| | Current | 3.16A Max. |
| | Ripple & Noise | 300mVp-p Max. |
| | Wattage | 60W Max. |
| | Configuration | DC-CABLE (1800mm, 4.0Φ x 11.5mm) |
| Efficiency | Efficiency | Ave. 87.0% Min. (LEVEL V) |
| | DPMS (No Load) | 0.3W Max. |
| Protection | OCP | Auto Recovery (Min. 4A, 264Vac) |
| | SCP | Auto Recovery |
| | OVP | Auto Recovery from 22Vdc |
| Reliability | Surge Immunity | IEC6100-4-5 (L-N : 2kV) |
| | ESD Immunity | IEC61000-4-2 (Contact : ±8kV, Air : ±15kV) |
| | Case dT | 35°C Max. (Tc-Tamb) |
| | Acoustic Noise | 23dBA Max. |
| SAFETY | | IEC60950-1 (World Wide) |
| Form & SIZE | | Note Pc / 46.0 X 108.0 X 31 |
| Life Time (AL-Capacitor) | | 13,000Hrs(25°C) |

7.5W ADAPTOR for STB

● Description

- AC/DC 7.5W (5V/1.5A) ADAPTOR for Set Top Box
- P/N : PSCV075101A



● Specification

| | | |
|---------------------------|-----------------|--|
| Input | Voltage | 90~150Vac |
| | Frequency | 45~65Hz |
| | Configuration | UL 2Pin-PRONG (Live, Neutral) |
| Output | Voltage | 5.0Vdc Nominal |
| | Line Regulation | 4.85~5.15Vdc |
| | Current | 1.5A Max. |
| | Ripple & Noise | 25mVp-p Max. |
| | Wattage | 7.5W Max. |
| | Configuration | DC-CABLE (1800mm, 3.5Φ x 9.5mm) |
| Efficiency | Efficiency | Ave. 71.2% Min. (LEVEL V) |
| | DPMS (No Load) | 0.3W Max. |
| Protection | OCP | Auto Recovery (Min. 2.3A, 110Vac) |
| | SCP | Auto Recovery |
| | OVP | Latch off (Max 7.5Vdc) |
| Reliability | Surge Immunity | IEC6100-4-5 (L-N : 6kV) |
| | ESD Immunity | IEC61000-4-2 (Contact : ±8kV, Air : ±15kV) |
| | Case dT | 25℃ Max. (Tc-Tamb) |
| | Acoustic Noise | 25dBA Max. |
| SAFETY | | IEC60065 (UL) |
| Form & SIZE | | Wall Mount / 44 X 72 X 32 |
| Life Time (AL-Capacitor) | | 10 Year |

AD0612 ADAPTOR for STB

● Description

- AC/DC 6W ADAPTOR for SET TOP BOX
- P/N : PSCV060101A(D)



● Specification

| | | | | |
|-------------------------------------|----------------------|--|--------|--------|
| Input | Voltage | 90~264Vac | | |
| | Frequency | 47~63Hz | | |
| | Configuration | 2Pin Plug (Live, Neutral) | | |
| Output | Voltage | 12Vdc Nominal | | |
| | Line/Load Regulation | 11.4~12.6Vdc | | |
| | Current | 0.5A Max. | | |
| | Ripple & Noise | 120mVp-p Max. | | |
| | Configuration | DC-CABLE (1570mm, 5.5Φ x 10mm) | | |
| Efficiency | Avg. Efficiency | 73.5% Min. (LEVEL V) | | |
| | DPMS (No Load) | 0.3W Max. | | |
| Protection | OCP | Auto Recovery (1.8A max) | | |
| | SCP | Auto Recovery | | |
| Reliability | ESD Immunity | Contact : ±8kV, Air : ±15kV (IEC61000-4-2) | | |
| | Case Temp. (dT) | 45℃ Max. (Tc-Tamb) | | |
| | Acoustic Noise | 19dBA Max. | | |
| SAFETY | | CE, CB, UL | | |
| Form & SIZE | | Direct Plug-In / 69*45*26 | | |
| Surge Immunity IEC6100-4-5 (L-N) | | ± 2KV | ± 4KV | ± 6KV |
| | | | | |
| Load Life Time (AL-Capacitor) | | 3 Year | 5 Year | 7 Year |
| | | | | |

A0712KI ADAPTOR for STB

● Description

- AC/DC 7.2W ADAPTOR for SET TOP BOX
- P/N : PSCV0701Y7A



● Specification

| | | | | |
|-------------------------------------|----------------------|--|--------|--------|
| Input | Voltage | 90~270Vac | | |
| | Frequency | 47~63Hz | | |
| | Configuration | 2Pin Plug (Live, Neutral) | | |
| Output | Voltage | 12Vdc Nominal | | |
| | Line/Load Regulation | 11.4~12.6Vdc | | |
| | Current | 0.6A Max. | | |
| | Ripple & Noise | 120mVp-p Max. | | |
| | Configuration | DC-CABLE (1570mm, 5.5Φ x 10mm) | | |
| Efficiency | Avg. Efficiency | 74.6% Min. (LEVEL V) | | |
| | DPMS (No Load) | 0.3W Max. | | |
| Protection | OCP | Auto Recovery (1.2A max) | | |
| | SCP | Auto Recovery | | |
| Reliability | ESD Immunity | Contact : ±8kV, Air : ±15kV (IEC61000-4-2) | | |
| | Case Temp. (dT) | 45°C Max. (Tc-Tamb) | | |
| | Acoustic Noise | 19dBA Max. | | |
| SAFETY | | CB (예정) | | |
| Form & SIZE | | Direct Plug-In / 69*45*26 | | |
| Surge Immunity IEC6100-4-5 (L-N) | | ± 2KV | ± 4KV | ± 6KV |
| | | | √ | |
| Load Life Time (AL-Capacitor) | | 3 Year | 5 Year | 7 Year |
| | | | √ | |

A1212KU ADAPTOR for STB

● Description

- AC/DC 12W ADAPTOR for SET TOP BOX
- P/N : PSCV1201Y1B



● Specification

| | | | | |
|-------------------------------------|----------------------|--|--------|--------|
| Input | Voltage | 100~240Vac | | |
| | Frequency | 47~63Hz | | |
| | Configuration | 2Pin Plug (Live, Neutral) | | |
| Output | Voltage | 12Vdc Nominal | | |
| | Line/Load Regulation | 11.4~12.6Vdc | | |
| | Current | 1.0A Max. | | |
| | Ripple & Noise | 120mVp-p Max. | | |
| | Configuration | DC-CABLE (1570mm, 5.5Φ x 10mm) | | |
| Efficiency | Avg. Efficiency | 77.8% Min. (LEVEL V) | | |
| | DPMS (No Load) | 0.3W Max. | | |
| Protection | OCP | Auto Recovery (2.0A max) | | |
| | SCP | Auto Recovery | | |
| Reliability | ESD Immunity | Contact : ±8kV, Air : ±15kV (IEC61000-4-2) | | |
| | Case Temp. (dT) | 45°C Max. (Tc-Tamb) | | |
| | Acoustic Noise | 19dBA Max. | | |
| SAFETY | | CB, CE, NOM, FCC | | |
| Form & SIZE | | Direct Plug-In / 72*46*31 | | |
| Surge Immunity IEC6100-4-5 (L-N) | | ± 2KV | ± 4KV | ± 6KV |
| | | | √ | |
| Load Life Time (AL-Capacitor) | | 3 Year | 5 Year | 7 Year |
| | | | √ | |

12W ADAPTOR for STB

● Description

- AC/DC 12W (12V/1A) ADAPTOR for SET TOP BOX
- P/N : PSCV1201Y1A



● Specification

| | | |
|---------------------------|----------------------|--|
| Input | Voltage | 90~264Vac |
| | Frequency | 47~63Hz |
| | Configuration | 2Pin Plug (Live, Neutral) |
| Output | Voltage | 12Vdc Nominal |
| | Line/Load Regulation | 11.4~12.6Vdc |
| | Current | 1.0A Max. |
| | Ripple & Noise | 120mVp-p Max. |
| | Configuration | DC-CABLE (1570mm, 5.5Φ x 10mm) |
| Efficiency | Avg. Efficiency | 77.8% Min. (LEVEL V) |
| | DPMS (No Load) | 0.3W Max. |
| Protection | OCP | Auto Recovery (1.8A max) |
| | SCP | Auto Recovery |
| Reliability | Surge Immunity | IEC6100-4-5 (L-N : 6kV) |
| | ESD Immunity | Contact : ±8kV, Air : ±15kV (IEC61000-4-2) |
| | Case Temp. (dT) | 40°C Max. (Tc-Tamb) |
| | Acoustic Noise | 19dBA Max. |
| SAFETY | | IEC60065 (CB) |
| Form & SIZE | | Direct Plug-In / 69*45*26 |
| Life Time (AL-Capacitor) | | 10 Years |

18W ADAPTOR for STB

● Description

- AC/DC 18W (12V/1.5A) ADAPTOR for SET TOP BOX
- P/N : PSCV1801Y1A



● Specification

| | | |
|---------------------------|----------------------|--|
| Input | Voltage | 90~264Vac |
| | Frequency | 47~63Hz |
| | Configuration | 2Pin Plug (Live, Neutral) |
| Output | Voltage | 12Vdc Nominal |
| | Line/Load Regulation | 11.4~12.6Vdc |
| | Current | 1.5A Max. |
| | Ripple & Noise | 120mVp-p Max. |
| | Configuration | DC-CABLE (1570mm, 5.5Φ x 10mm) |
| Efficiency | Avg. Efficiency | 80.3% Min. (LEVEL V) |
| | DPMS (No Load) | 0.3W Max. |
| Protection | OCP | Auto Recovery (1.8A max) |
| | SCP | Auto Recovery |
| Reliability | Surge Immunity | IEC6100-4-5 (L-N : 6kV) |
| | ESD Immunity | Contact : ±8kV, Air : ±15kV (IEC61000-4-2) |
| | Case Temp. (dT) | 40℃ Max. (Tc-Tamb) |
| | Acoustic Noise | 19dBA Max. |
| SAFETY | | IEC60065 (CB) |
| Form & SIZE | | Direct Plug-In / 82*52*31 |
| Life Time (AL-Capacitor) | | 10 Years |

AD1912 ADAPTOR for STB

● Description

- AC/DC 19.2W ADAPTOR for SET TOP BOX
- P/N : PSCV190101A



● Specification

| | | |
|-----------------------------------|-----------------|--|
| Input | Voltage | 90~264Vac |
| | Frequency | 47~63Hz |
| | Configuration | 2Pin Plug (Live, Neutral) |
| Output | Voltage | 12Vdc Nominal |
| | Line Regulation | 11.4~12.6Vdc |
| | Current | 1.6A Max. |
| | Ripple & Noise | 120mVp-p Max. |
| | Wattage | 19.2W Max. |
| | Configuration | DC-CABLE (1500mm, 5.5Φ x 10mm) |
| Efficiency | Efficiency | Ave. 80.7% Min. (LEVEL V) |
| | DPMS (No Load) | 0.3W Max. |
| Protection | OCP | Auto Recovery (2.9A max) |
| | SCP | Auto Recovery |
| | OVP | Auto Recovery from 22Vdc |
| Reliability | Surge Immunity | IEC6100-4-5 (L-N : 4kV) |
| | ESD Immunity | IEC61000-4-2 (Contact : ±8kV, Air : ±15kV) |
| | Case dT | 35℃ Max. (Tc-Tamb) |
| | Acoustic Noise | 19dBA Max. |
| SAFETY | | IEC60065 (CB/CE) |
| Form & SIZE | | Wall Mount, 91.7 X 50 X 31 |
| Load Life Time (AL-Capacitor) | | 3 Year |

24W ADAPTOR

● Description

- AC/DC 24W (12V/2A) ADAPTOR for SET TOP BOX
- P/N : PSCV2401Y1A



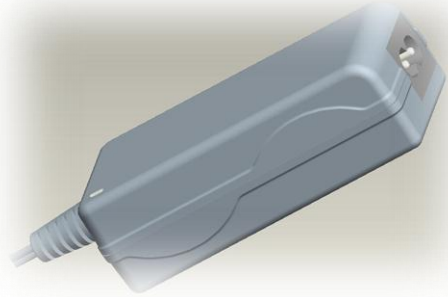
● Specification

| | | |
|---------------------------|----------------------|--|
| Input | Voltage | 90~264Vac |
| | Frequency | 47~63Hz |
| | Configuration | 2Pin Plug (Live, Neutral) |
| Output | Voltage | 12Vdc Nominal |
| | Line/Load Regulation | 11.4~12.6Vdc |
| | Current | 2.0A Max. |
| | Ripple & Noise | 120mVp-p Max. |
| | Configuration | DC-CABLE (1570mm, 5.5Φ x 10mm) |
| Efficiency | Avg. Efficiency | 82.1% Min. (LEVEL V) |
| | DPMS (No Load) | 0.3W Max. |
| Protection | OCP | Auto Recovery (1.8A max) |
| | SCP | Auto Recovery |
| Reliability | Surge Immunity | IEC6100-4-5 (L-N : 6kV) |
| | ESD Immunity | Contact : ±8kV, Air : ±15kV (IEC61000-4-2) |
| | Case Temp. (dT) | 40°C Max. (Tc-Tamb) |
| | Acoustic Noise | 19dBA Max. |
| SAFETY | | IEC60065 (CB) |
| Form & SIZE | | Direct Plug-In / 82*52*31 |
| Life Time (AL-Capacitor) | | 10 Years |

30W ADAPTOR for STB

● Description

- AC/DC 30W (12V/2.5A) ADAPTOR for SET TOP BOX
- P/N : PSCV3001Y1A



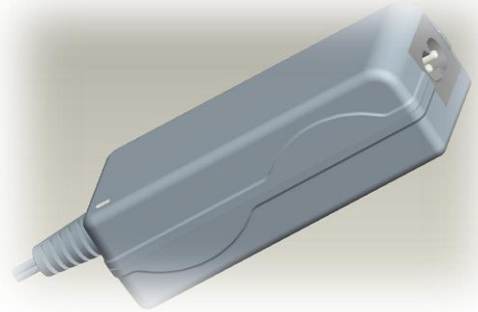
● Specification

| | | |
|---------------------------|----------------------|--|
| Input | Voltage | 90~264Vac |
| | Frequency | 47~63Hz |
| | Configuration | 2Pin Socket (Live, Neutral) |
| Output | Voltage | 12Vdc Nominal |
| | Line/Load Regulation | 11.4~12.6Vdc |
| | Current | 2.5A Max. |
| | Ripple & Noise | 120mVp-p Max. |
| | Configuration | DC-CABLE (1570mm, 5.5Φ x 10mm) |
| Efficiency | Avg. Efficiency | 83.5% Min. (LEVEL V) |
| | DPMS (No Load) | 0.3W Max. |
| Protection | OCP | Auto Recovery (4.5A max) |
| | SCP | Auto Recovery |
| Reliability | Surge Immunity | IEC6100-4-5 (L-N : 6kV) |
| | ESD Immunity | Contact : ±8kV, Air : ±15kV (IEC61000-4-2) |
| | Case Temp. (dT) | 40℃ Max. (Tc-Tamb) |
| | Acoustic Noise | 19dBA Max. |
| SAFETY | | IEC60065 (CB) |
| Form & SIZE | | Desk Top / 98.5*45.5*30 |
| Life Time (AL-Capacitor) | | 10 Years |

AD3612 ADAPTOR for STB

● Description

- AC/DC 36W ADAPTOR for SET TOP BOX
- P/N : PSCV360101A(D)



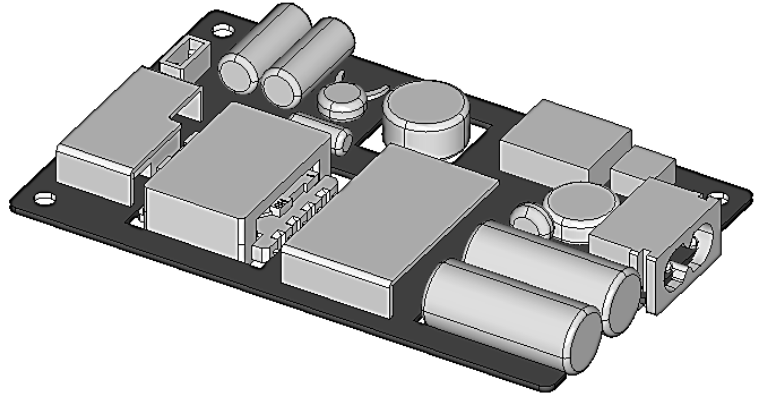
● Specification

| | | | | |
|-------------------------------------|----------------------|--|--------|--------|
| Input | Voltage | 90~264Vac | | |
| | Frequency | 47~63Hz | | |
| | Configuration | 2Pin Socket (Live, Neutral) | | |
| Output | Voltage | 12Vdc Nominal | | |
| | Line/Load Regulation | 11.4~12.6Vdc | | |
| | Current | 3.0A Max. | | |
| | Ripple & Noise | 120mVp-p Max. | | |
| | Configuration | DC-CABLE (1570mm, 5.5Φ x 10mm) | | |
| Efficiency | Avg. Efficiency | 84.7% Min. (LEVEL V) | | |
| | DPMS (No Load) | 0.3W Max. | | |
| Protection | OCP | Auto Recovery (5.4A max) | | |
| | SCP | Auto Recovery | | |
| Reliability | ESD Immunity | Contact : ±8kV, Air : ±15kV (IEC61000-4-2) | | |
| | Case Temp. (dT) | 45°C Max. (Tc-Tamb) | | |
| | Acoustic Noise | 19dBA Max. | | |
| SAFETY | | CE, CB, UL | | |
| Form & SIZE | | Desk Top / 98.5*45.5*30 | | |
| Surge Immunity IEC6100-4-5 (L-N) | | ± 2KV | ± 4KV | ± 6KV |
| | | | | |
| Load Life Time (AL-Capacitor) | | 3 Year | 5 Year | 7 Year |
| | | | | |

AD3612M ADAPTOR for STB

● Description

- AC/DC 36W ADAPTOR for SET TOP BOX
- P/N : Under Development



● Specification

| | | |
|-------------|-----------------|--|
| Input | Voltage | 90~135Vac |
| | Frequency | 57~63Hz |
| | Configuration | 2-Pin Socket (Live, Neutral) |
| Output | Voltage | 12Vdc Nominal |
| | Line Regulation | 11.4~12.6Vdc |
| | Current | 3A Max |
| | Ripple & Noise | 300mVp-p Max. |
| | Wattage | 36W Max. |
| | Configuration | 4 Pin Connector |
| Efficiency | Efficiency | Ave. 84.9% Min. (LEVEL V) |
| | DPMS (No Load) | 0.15W Max. |
| Protection | OCP | 5A |
| | SCP | Auto Recovery |
| | OVP | Auto Recovery from 20Vdc |
| Reliability | Surge Immunity | IEC6100-4-5 (L-N : 6kV, L&N-GND : 6kV) |
| | ESD Immunity | IEC61000-4-2 (Contact : ±8kV, Air : ±15kV) |
| | Case dT | Open Frame |
| | Acoustic Noise | 19dBA Max. |
| SAFETY | | UL, cUL, CB |
| Form & SIZE | | Open Frame, 110 X 70 X 17.5 |